

Schaltaugen - Ausfallende



PILO

UNION

www.jeker-co.com



Ausfallende Schaltauge Wechselhalter

Support de changement de patte dérailleur

44

GH-001

UNION
 Art.-Nr. Ref. VP sFr **18.40**

GH-001

PILO
 Art.-Nr. Ref. VP sFr **0.00**

GH-002

UNION
 Art.-Nr. Ref. VP sFr **18.40**

GH-002

PILO
 Art.-Nr. Ref. VP sFr **0.00**

GH-003

UNION
 Art.-Nr. Ref. VP sFr **21.60**

GH-005

UNION
 Art.-Nr. Ref. VP sFr **21.60**

GH-005 CNC

PILO
 Art.-Nr. Ref. VP sFr **0.00**

GH-006

UNION
 Art.-Nr. Ref. VP sFr **21.60**

GH-006

PILO
 Art.-Nr. Ref. VP sFr **35.20**

GH-009

UNION
 Art.-Nr. Ref. VP sFr **23.20**

GH-009 CNC

PILO
 Art.-Nr. Ref. VP sFr **37.60**

GH-010

UNION
 Art.-Nr. Ref. VP sFr **23.20**

GH-010 CNC

PILO
 Art.-Nr. Ref. VP sFr **0.00**

GH-011

UNION
 Art.-Nr. Ref. VP sFr **23.20**

GH-011 CNC

 Art.-Nr. Ref. VP sFr **0.00**

GH-011 CNC

PILO
 Art.-Nr. Ref. VP sFr **40.80**

GH-012

UNION
 Art.-Nr. Ref. VP sFr **23.20**

GH-012

PILO
 Art.-Nr. Ref. VP sFr **0.00**

GH-013

UNION
 Art.-Nr. Ref. VP sFr **23.20**

GH-014

UNION
 Art.-Nr. Ref. VP sFr **23.85**



Ausfallende Schaltauge Wechselhalter

Support de changement de patte dérailleur

44

GH-014 Ø10mm **CNC**

45mm

PILO

Art.-Nr. **44.1463** Ref. VP sFr **37.60**

GH-015 Ø10mm

42mm

UNION

Art.-Nr. **44.1649** Ref. VP sFr **21.60**

GH-015 Ø10mm **D22**

12mm

42mm

PILO

Art.-Nr. **44.1618** Ref. VP sFr **0.00**

GH-017 Ø10mm

50mm

UNION

Art.-Nr. **44.1650** Ref. VP sFr **21.60**

GH-017 Ø10mm

50mm

PILO

Art.-Nr. **44.1426** Ref. VP sFr **38.40**

GH-018 Ø10mm

48mm

UNION

Art.-Nr. **44.1651** Ref. VP sFr **21.60**

GH-018 Ø10mm **CNC**

48mm

PILO

Art.-Nr. **44.1468** Ref. VP sFr **0.00**

GH-020 Ø10mm

46mm

UNION

Art.-Nr. **44.1652** Ref. VP sFr **0.00**

GH-020 Ø10mm

46mm

PILO

Art.-Nr. **44.1424** Ref. VP sFr **35.20**

GH-021 29mm Ø10mm M4

29mm

Ø10mm

M4

UNION

Art.-Nr. **44.1653** Ref. VP sFr **21.60**

GH-022 Ø10mm

41mm

Ø10mm

UNION

Art.-Nr. **44.1654** Ref. VP sFr **23.20**

GH-022 Ø10mm **CNC**

41mm

Ø10mm

PILO

Art.-Nr. **44.1452** Ref. VP sFr **37.60**

GH-023 Ø10mm

46mm

Ø10mm

UNION

Art.-Nr. **44.1513** Ref. VP sFr **23.05**

GH-023 Ø10mm

46mm

Ø10mm

PILO

Art.-Nr. **44.1619** Ref. VP sFr **23.20**

GH-026 M5

43mm

M5

UNION

Art.-Nr. **44.1656** Ref. VP sFr **23.20**

GH-027 11mm M4

11mm

M4

UNION

Art.-Nr. **44.1657** Ref. VP sFr **0.00**

GH-029 Ø5mm

45mm

Ø5mm

UNION

Art.-Nr. **44.1658** Ref. VP sFr **23.20**

GH-029 Ø5mm **CNC**

45mm

Ø5mm

PILO

Art.-Nr. **44.1621** Ref. VP sFr **0.00**

GH-033 Ø10mm

43mm

Ø10mm

UNION

Art.-Nr. **44.1659** Ref. VP sFr **23.20**

GH-033 Ø10mm

43mm

Ø10mm

PILO

Art.-Nr. **44.1601** Ref. VP sFr **0.00**



Ausfallende Schaltauge Wechselhalter

Support de changement de patte dérailleur

44

GH-036

Ø10mm
44mm

UNION

Art.-Nr. 44.1660 Ref. VP sFr 21.60

GH-038

19mm
M3

UNION

Art.-Nr. 44.1661 Ref. VP sFr 23.60

GH-038

19mm
M3

UNION

Art.-Nr. 44.1568 Ref. VP sFr 0.00

GH-039

19mm
M4

UNION

Art.-Nr. 44.1662 Ref. VP sFr 21.60

GH-039

19mm
M4

UNION

Art.-Nr. 44.1580 Ref. VP sFr 31.20

GH-041

19mm
Ø4mm

UNION

Art.-Nr. 44.1663 Ref. VP sFr 0.00

GH-041

19mm
Ø4mm

UNION

Art.-Nr. 44.1535 Ref. VP sFr 0.00

GH-043

14mm
M4

UNION

Art.-Nr. 44.1664 Ref. VP sFr 23.20

GH-043

14mm
M4

UNION

Art.-Nr. 44.1472 Ref. VP sFr 0.00

GH-045

14mm
M4

UNION

Art.-Nr. 44.1665 Ref. VP sFr 23.20

GH-049

40mm
M4

UNION

Art.-Nr. 44.1666 Ref. VP sFr 0.00

GH-051

14mm
Ø4mm
M3

UNION

Art.-Nr. 44.1667 Ref. VP sFr 21.60

GH-056

23mm
M4

UNION

Art.-Nr. 44.1668 Ref. VP sFr 21.60

GH-056 D186

23mm
M4

UNION

Art.-Nr. 44.1552 Ref. VP sFr 0.00

GH-056 D470

23mm
M4

UNION

Art.-Nr. 44.3841 Ref. VP sFr 0.00

GH-057

15mm
M4
Ø3mm

UNION

Art.-Nr. 44.1669 Ref. VP sFr 21.60

GH-058

19mm
M4

UNION

Art.-Nr. 44.1670 Ref. VP sFr 23.20

GH-058

18.6 mm
M4

UNION

Art.-Nr. 44.1534 Ref. VP sFr 0.00

GH-061

Ø10mm
37mm

UNION

Art.-Nr. 44.1673 Ref. VP sFr 18.40

GH-061 D125

Ø10mm
38mm

UNION

Art.-Nr. 44.3073 Ref. VP sFr 0.00



Ausfallende Schaltauge Wechselhalter

Support de changement de patte dérailleur

44

GH-062
20mm

UNION
Art.-Nr. 44.1674 Ref. VP sFr 0.00

GH-062
20mm

PILO
Art.-Nr. 44.1503 Ref. VP sFr 0.00

GH-063
23mm

UNION
Art.-Nr. 44.1675 Ref. VP sFr 23.20

GH-068
Ø10mm

UNION
Art.-Nr. 44.1676 Ref. VP sFr 18.40

GH-069
Ø10mm

UNION
Art.-Nr. 44.1677 Ref. VP sFr 20.00

GH-072
18mm

UNION
Art.-Nr. 44.1678 Ref. VP sFr 23.85

GH-076
M4

UNION
Art.-Nr. 44.1680 Ref. VP sFr 0.00

GH-078
Ø10mm

UNION
Art.-Nr. 44.1681 Ref. VP sFr 23.20

GH-078 D413
Ø10mm

PILO
Art.-Nr. 44.3287 Ref. VP sFr 0.00

GH-080
14mm

UNION
Art.-Nr. 44.1682 Ref. VP sFr 23.20

GH-080 CNC
14mm

PILO
Art.-Nr. 44.1510 Ref. VP sFr 0.00

GH-080 CNC
14mm

PILO schwarz
Art.-Nr. 44.16 Ref. VP sFr 21.60

GH-081
Ø10mm

UNION
Art.-Nr. 44.1683 Ref. VP sFr 19.20

GH-082
15mm

UNION
Art.-Nr. 44.1684 Ref. VP sFr 0.00

GH-083
Ø10mm

UNION
Art.-Nr. 44.1685 Ref. VP sFr 20.00

GH-083
Ø10mm

PILO
Art.-Nr. 44.1428 Ref. VP sFr 46.25

GH-084
Ø10mm

UNION
Art.-Nr. 44.1686 Ref. VP sFr 24.80

GH-085
14mm

UNION
Art.-Nr. 44.1687 Ref. VP sFr 23.20

GH-085
14mm

PILO
Art.-Nr. 44.3112 Ref. VP sFr 0.00

GH-086
17mm

UNION
Art.-Nr. 44.1688 Ref. VP sFr 24.80



Ausfallende Schaltauge Wechselhalter

Support de changement de patte dérailleur

44

GH-086

Art.-Nr. **44.1560** Ref. VP sFr **0.00**

GH-087

Art.-Nr. **44.1689** Ref. VP sFr **0.00**

GH-088

Art.-Nr. **44.1690** Ref. VP sFr **0.00**

GH-089

Art.-Nr. **44.1691** Ref. VP sFr **21.60**

GH-090

Art.-Nr. **44.1692** Ref. VP sFr **18.40**

GH-090 240

Art.-Nr. **44.1924** Ref. VP sFr **0.00**

GH-092

Art.-Nr. **44.1693** Ref. VP sFr **0.00**

GH-092

Art.-Nr. **44.1635** Ref. VP sFr **0.00**

GH-093

Art.-Nr. **44.1694** Ref. VP sFr **0.00**

GH-094

Art.-Nr. **44.1695** Ref. VP sFr **21.60**

GH-094

Art.-Nr. **44.1479** Ref. VP sFr **0.00**

GH-095

Art.-Nr. **44.1696** Ref. VP sFr **0.00**

GH-096

Art.-Nr. **44.1697** Ref. VP sFr **0.00**

GH-097

Art.-Nr. **44.1698** Ref. VP sFr **0.00**

GH-097

Art.-Nr. **44.1478** Ref. VP sFr **0.00**

GH-098

Art.-Nr. **44.1699** Ref. VP sFr **18.40**

GH-098 D289

Art.-Nr. **44.3196** Ref. VP sFr **0.00**

GH-099

Art.-Nr. **44.1700** Ref. VP sFr **28.80**

GH-101

Art.-Nr. **44.1702** Ref. VP sFr **0.00**

GH-101 D445

Art.-Nr. **44.3311** Ref. VP sFr **0.00**



Ausfallende Schaltauge Wechselhalter

Support de changement de patte dérailleur

44

GH-102

UNION

Art.-Nr. **44.1703** Ref. VP sFr **0.00**

GH-103

UNION

Art.-Nr. **44.1704** Ref. VP sFr **0.00**

GH-104

UNION

Art.-Nr. **44.1706** Ref. VP sFr **0.00**

GH-105

UNION

Art.-Nr. **44.1705** Ref. VP sFr **21.60**

GH-105 **D457**

PILO

Art.-Nr. **44.3324** Ref. VP sFr **63.85**

GH-106

UNION

Art.-Nr. **44.1707** Ref. VP sFr **23.60**

GH-106 **CNC**

PILO

Art.-Nr. **44.1461** Ref. VP sFr **0.00**

GH-107

UNION

Art.-Nr. **44.1708** Ref. VP sFr **23.85**

GH-107

PILO

Art.-Nr. **44.1569** Ref. VP sFr **0.00**

GH-108

UNION

Art.-Nr. **44.1709** Ref. VP sFr **21.60**

GH-108 **CNC**

PILO

Art.-Nr. **44.1436** Ref. VP sFr **0.00**

GH-109

UNION

Art.-Nr. **44.1710** Ref. VP sFr **21.60**

GH-110

UNION

Art.-Nr. **44.1711** Ref. VP sFr **21.60**

GH-111

UNION

Art.-Nr. **44.1712** Ref. VP sFr **18.40**

GH-111

PILO

Art.-Nr. **44.1578** Ref. VP sFr **0.00**

GH-112

UNION

Art.-Nr. **44.1713** Ref. VP sFr **21.60**

GH-112

PILO

Art.-Nr. **44.1572** Ref. VP sFr **0.00**

GH-113

UNION

Art.-Nr. **44.1714** Ref. VP sFr **21.60**

GH-113

PILO

Art.-Nr. **44.1614** Ref. VP sFr **0.00**

GH-114

UNION

Art.-Nr. **44.1715** Ref. VP sFr **21.60**



Ausfallende Schaltauge Wechselhalter

Support de changement de patte dérailleur

44

GH-114

Art.-Nr. **44.1467** Ref. VP sFr **0.00**

GH-115

Art.-Nr. **44.1716** Ref. VP sFr **21.60**

GH-116

Art.-Nr. **44.1717** Ref. VP sFr **23.20**

GH-116 CNC

Art.-Nr. **44.1501** Ref. VP sFr **0.00**

GH-117

Art.-Nr. **44.1718** Ref. VP sFr **21.60**

GH-118

Art.-Nr. **44.1719** Ref. VP sFr **21.60**

GH-119

Art.-Nr. **44.1720** Ref. VP sFr **23.20**

GH-119 250

Art.-Nr. **44.2539** Ref. VP sFr **42.40**

GH-120 Ø10mm

Art.-Nr. **44.1721** Ref. VP sFr **23.20**

GH-120 Ø10mm

Art.-Nr. **44.1516** Ref. VP sFr **0.00**

GH-121

Art.-Nr. **44.1722** Ref. VP sFr **0.00**

GH-122

Art.-Nr. **44.1723** Ref. VP sFr **0.00**

GH-123 Ø10mm

Art.-Nr. **44.1724** Ref. VP sFr **0.00**

GH-123

Art.-Nr. **44.1440** Ref. VP sFr **0.00**

GH-124

Art.-Nr. **44.1725** Ref. VP sFr **18.40**

GH-124 Ø10mm

Art.-Nr. **44.1507** Ref. VP sFr **0.00**

GH-125

Art.-Nr. **44.1726** Ref. VP sFr **21.60**

GH-126

Art.-Nr. **44.1727** Ref. VP sFr **29.60**

GH-126 CNC

Art.-Nr. **44.1475** Ref. VP sFr **37.60**

GH-127

Art.-Nr. **44.1728** Ref. VP sFr **18.40**



Ausfallende Schaltauge Wechselhalter

Support de changement de patte dérailleur

44

GH-127
 18mm
 Ø10mm
 Ø4mm

PILO
 Art.-Nr. 44.1462 Ref. VP sFr 0.00

GH-128
 22mm
 Ø10mm
 Ø4mm

UNION
 Art.-Nr. 44.1729 Ref. VP sFr 18.40

GH-128
 Ø10mm 22mm Ø4mm CNC

PILO
 Art.-Nr. 44.1465 Ref. VP sFr 0.00

GH-129
 Ø10mm
 39mm

UNION
 Art.-Nr. 44.1730 Ref. VP sFr 18.40

GH-130
 Ø10mm
 43mm

UNION
 Art.-Nr. 44.1731 Ref. VP sFr 18.40

GH-131
 M8
 20mm

UNION
 Art.-Nr. 44.1732 Ref. VP sFr 23.20

GH-131
 M8
 20mm

PILO
 Art.-Nr. 44.1616 Ref. VP sFr 0.00

GH-132
 Ø10mm
 46mm

UNION
 Art.-Nr. 44.1733 Ref. VP sFr 22.40

GH-133
 28mm
 Ø10mm
 Ø4mm

UNION
 Art.-Nr. 44.1734 Ref. VP sFr 23.20

GH-134
 Ø10mm
 44mm

UNION
 Art.-Nr. 44.1735 Ref. VP sFr 23.20

GH-134
 Ø10mm
 44mm

PILO
 Art.-Nr. 44.1545 Ref. VP sFr 0.00

GH-135
 15mm
 Ø4mm

UNION
 Art.-Nr. 44.1736 Ref. VP sFr 18.40

GH-135
 15mm
 Ø4mm

PILO
 Art.-Nr. 44.1571 Ref. VP sFr 0.00

GH-136
 12mm
 M3

UNION
 Art.-Nr. 44.1737 Ref. VP sFr 26.40

GH-136
 12mm
 M3

PILO
 Art.-Nr. 44.1581 Ref. VP sFr 0.00

GH-137
 Ø8mm
 39mm

UNION
 Art.-Nr. 44.1738 Ref. VP sFr 20.00

GH-137
 Ø8mm
 39mm

PILO
 Art.-Nr. 44.1422 Ref. VP sFr 25.90

GH-137
 Ø8mm
 39mm
 D193

PILO
 Art.-Nr. 44.3129 Ref. VP sFr 0.00

GH-138
 14mm
 M5

UNION
 Art.-Nr. 44.1739 Ref. VP sFr 23.20

GH-138
 14mm
 M5

PILO
 Art.-Nr. 44.1558 Ref. VP sFr 44.00



Ausfallende Schaltauge Wechselhalter

Support de changement de patte dérailleur

44

GH-139 Ø8mm
41mm

UNION
Art.-Nr. 44.1740 Ref. VP sFr 21.60

Ø 8 mm **GH-139**
41mm

PILO
Art.-Nr. 44.1586 Ref. VP sFr 37.60

GH-140 24mm
M3

UNION
Art.-Nr. 44.1741 Ref. VP sFr 18.40

GH-140 D12
25 mm
M3

UNION
Art.-Nr. 44.1429 Ref. VP sFr 0.00

GH-140 D15
25 mm
M3

PILO
Art.-Nr. 44.3095 Ref. VP sFr 0.00

GH-141
13mm
M3

UNION
Art.-Nr. 44.1742 Ref. VP sFr 18.40

GH-141
13 mm
M3

UNION
Art.-Nr. 44.1430 Ref. VP sFr 0.00

GH-142 M6
47mm

UNION
Art.-Nr. 44.1743 Ref. VP sFr 20.00

GH-143 20mm
M3

UNION
Art.-Nr. 44.1744 Ref. VP sFr 18.40

GH-143 20 mm
M3

PILO
Art.-Nr. 44.1431 Ref. VP sFr 0.00

GH-144 Ø10mm
51mm

UNION
Art.-Nr. 44.1745 Ref. VP sFr 0.00

Ø10mm **GH-144**
51mm

PILO
Art.-Nr. 44.1419 Ref. VP sFr 30.10

GH-145 Ø10mm
41mm

UNION
Art.-Nr. 44.1746 Ref. VP sFr 0.00

GH-146 M8
40mm

UNION
Art.-Nr. 44.1747 Ref. VP sFr 23.20

GH-146 94
M8
40mm

UNION
Art.-Nr. 44.3990 Ref. VP sFr 38.40

M8
41mm

PILO
Art.-Nr. 44.1508 Ref. VP sFr 30.40

GH-147
13mm
Ø4mm

UNION
Art.-Nr. 44.1748 Ref. VP sFr 18.40

GH-147 Ø4mm CNC
13mm
Ø4mm

PILO
Art.-Nr. 44.1515 Ref. VP sFr 0.00

28mm **GH-148**
M3

UNION
Art.-Nr. 44.1749 Ref. VP sFr 21.60

28mm **GH-148** CNC
M3

PILO
Art.-Nr. 44.1573 Ref. VP sFr 0.00



Ausfallende Schaltauge Wechselhalter

Support de changement de patte dérailleur

44

GH-149

 Art.-Nr. **44.1750** Ref. VP sFr **21.60**

GH-149 15mm **CNC**

 Art.-Nr. **44.1433** Ref. VP sFr **0.00**

GH-150

 Art.-Nr. **44.1751** Ref. VP sFr **24.80**

GH-150 29mm **6.4mm**

 Art.-Nr. **44.1576** Ref. VP sFr **0.00**

GH-151

 Art.-Nr. **44.1752** Ref. VP sFr **21.60**

CNC **GH-151**

 Art.-Nr. **44.1434** Ref. VP sFr **0.00**

GH-152

 Art.-Nr. **44.1753** Ref. VP sFr **0.00**

GH-152 **D315**

 Art.-Nr. **44.3213** Ref. VP sFr **0.00**

GH-153

 Art.-Nr. **44.1754** Ref. VP sFr **0.00**

GH-154 **20mm**

 Art.-Nr. **44.1912** Ref. VP sFr **0.00**

GH-155 **21mm**

 Art.-Nr. **44.1913** Ref. VP sFr **0.00**

GH-156 **24mm**

 Art.-Nr. **44.1914** Ref. VP sFr **0.00**

GH-156 **D183**

 Art.-Nr. **44.1529** Ref. VP sFr **0.00**

GH-157 **28mm**

 Art.-Nr. **44.1915** Ref. VP sFr **23.85**

GH-157 **28mm**

 Art.-Nr. **44.1530** Ref. VP sFr **36.80**

GH-158 **15mm**

 Art.-Nr. **44.1916** Ref. VP sFr **21.60**

GH-159 **18mm**

 Art.-Nr. **44.1917** Ref. VP sFr **0.00**

GH-159 **18mm**

 Art.-Nr. **44.1582** Ref. VP sFr **39.60**

GH-160 **20mm**

 Art.-Nr. **44.1918** Ref. VP sFr **0.00**

GH-161 **20mm**

 Art.-Nr. **44.1919** Ref. VP sFr **0.00**



Ausfallende Schaltauge Wechselhalter

Support de changement de patte dérailleur

44

GH-161 **D437**

PILO

Art.-Nr. **44.1590** Ref. VP sFr **0.00**

GH-162 **21mm**

UNION

Art.-Nr. **44.1920** Ref. VP sFr **23.20**

GH-163

UNION

Art.-Nr. **44.1921** Ref. VP sFr **21.60**

GH-163 **26mm** **CNC**

PILO

Art.-Nr. **44.1557** Ref. VP sFr **39.20**

GH-164 **14mm**

UNION

Art.-Nr. **44.1922** Ref. VP sFr **25.60**

GH-164 **14mm**

PILO

Art.-Nr. **44.1563** Ref. VP sFr **0.00**

GH-165 **16mm**

UNION

Art.-Nr. **44.2621** Ref. VP sFr **23.20**

GH-166

UNION

Art.-Nr. **44.2622** Ref. VP sFr **0.00**

GH-167 **21mm**

UNION

Art.-Nr. **44.2623** Ref. VP sFr **0.00**

GH-167 **21mm** **260**

PILO

Art.-Nr. **44.2548** Ref. VP sFr **0.00**

GH-168 **15mm**

UNION

Art.-Nr. **44.2624** Ref. VP sFr **0.00**

GH-169 **14mm**

UNION

Art.-Nr. **44.2625** Ref. VP sFr **0.00**

GH-169 **259**

PILO

Art.-Nr. **44.2547** Ref. VP sFr **47.20**

GH-170 **13mm**

UNION

Art.-Nr. **44.2626** Ref. VP sFr **27.20**

GH-171 **14mm**

UNION

Art.-Nr. **44.2627** Ref. VP sFr **28.00**

GH-172 **14mm**

UNION

Art.-Nr. **44.2628** Ref. VP sFr **0.00**

GH-172 **D69**

PILO

Art.-Nr. **44.3514** Ref. VP sFr **0.00**

GH-173 **21mm**

UNION

Art.-Nr. **44.2629** Ref. VP sFr **0.00**

GH-173 **21mm** **D465**

PILO

Art.-Nr. **44.3332** Ref. VP sFr **0.00**

GH-174 **20mm**

UNION

Art.-Nr. **44.2630** Ref. VP sFr **25.60**



Ausfallende Schalttauge Wechselhalter

Support de changement de patte dérailleur

44

GH-174 **D464**

PILO

Art.-Nr. **44.3331** Ref. VP sFr **0.00**

GH-175

UNION

Art.-Nr. **44.2631** Ref. VP sFr **39.85**

GH-175

PILO

Art.-Nr. **44.3267** Ref. VP sFr **62.40**

GH-176

UNION

Art.-Nr. **44.2632** Ref. VP sFr **37.60**

GH-176

UNION

Art.-Nr. **44.2633** Ref. VP sFr **37.60**

GH-176 **D384**

PILO

Art.-Nr. **44.3263** Ref. VP sFr **0.00**

GH-177

UNION

Art.-Nr. **44.2691** Ref. VP sFr **28.00**

GH-177 **D433**

PILO

Art.-Nr. **44.3304** Ref. VP sFr **0.00**

GH-178

UNION

Art.-Nr. **44.2634** Ref. VP sFr **26.40**

GH-178

PILO

Art.-Nr. **44.3370** Ref. VP sFr **43.20**

GH-179 **D329**

UNION

Art.-Nr. **44.2635** Ref. VP sFr **20.00**

GH-180

UNION

Art.-Nr. **44.2636** Ref. VP sFr **23.20**

GH-181 **M5**

UNION

Art.-Nr. **44.2637** Ref. VP sFr **0.00**

GH-185 **Ø10mm**

UNION

Art.-Nr. **44.2641** Ref. VP sFr **28.00**

GH-185 **Ø10mm** **D329**

PILO

Art.-Nr. **44.3222** Ref. VP sFr **55.90**

GH-186

UNION

Art.-Nr. **44.2642** Ref. VP sFr **0.00**

GH-187

UNION

Art.-Nr. **44.2643** Ref. VP sFr **0.00**

GH-188

UNION

Art.-Nr. **44.2644** Ref. VP sFr **21.60**

GH-188 **D143**

PILO

Art.-Nr. **44.3532** Ref. VP sFr **0.00**

GH-189

UNION

Art.-Nr. **44.2645** Ref. VP sFr **31.20**



Ausfallende Schaltauge Wechselhalter

Support de changement de patte dérailleur

44

GH-189 **D294**

M17 x 1.0
M12 x 1.75
31mm

PILO

Art.-Nr. **44.1634** Ref. VP sFr **0.00**

GH-190

aussen M17
30mm

UNION

Art.-Nr. **44.2646** Ref. VP sFr **0.00**

GH-190

M17
30mm

PILO

Art.-Nr. **44.3200** Ref. VP sFr **0.00**

GH-191

12mm
Ø3mm
Ø6mm

UNION

Art.-Nr. **44.2647** Ref. VP sFr **0.00**

GH-191 **D396**

11mm
Ø3mm
Ø6mm

PILO

Art.-Nr. **44.3273** Ref. VP sFr **0.00**

GH-192

28mm
M3

UNION

Art.-Nr. **44.2648** Ref. VP sFr **20.00**

GH-192 **CNC**

28mm
M3

PILO

Art.-Nr. **44.1613** Ref. VP sFr **0.00**

GH-199

M16
20Nm
45mm
12Nm

UNION

Art.-Nr. **44.2649** Ref. VP sFr **0.00**

GH-200

Ø10mm
44mm

UNION

Art.-Nr. **44.2864** Ref. VP sFr **0.00**

GH-201

15mm
M4

UNION

Art.-Nr. **44.2865** Ref. VP sFr **0.00**

GH-202

Ø10mm
39mm

UNION

Art.-Nr. **44.2866** Ref. VP sFr **0.00**

GH-203

21mm
M3

UNION

Art.-Nr. **44.2867** Ref. VP sFr **0.00**

GH-203 **CNC**

21mm
M3

PILO

Art.-Nr. **44.1598** Ref. VP sFr **39.20**

GH-204

18mm
M4

UNION

Art.-Nr. **44.2868** Ref. VP sFr **23.20**

GH-205

Ø10mm
40mm

UNION

Art.-Nr. **44.2869** Ref. VP sFr **0.00**

GH-206

20mm
M6
M6

UNION

Art.-Nr. **44.2870** Ref. VP sFr **0.00**

GH-207

11mm
M3

UNION

Art.-Nr. **44.2871** Ref. VP sFr **0.00**

GH-208

21mm
M4

UNION

Art.-Nr. **44.2872** Ref. VP sFr **0.00**

GH-209

20mm
M3

UNION

Art.-Nr. **44.2873** Ref. VP sFr **23.85**

GH-210

26mm
M4

UNION

Art.-Nr. **44.2874** Ref. VP sFr **0.00**



Ausfallende Schaltauge Wechselhalter

Support de changement de patte dérailleur

44

GH-211 17mm
M4

UNION
Art.-Nr. 44.2875 Ref. VP sFr 0.00

GH-212 24mm
M5

UNION
Art.-Nr. 44.2876 Ref. VP sFr 0.00

GH-213 22mm
M5

UNION
Art.-Nr. 44.2877 Ref. VP sFr 0.00

GH-214 M4
13mm
Ø12mm

UNION
Art.-Nr. 44.2878 Ref. VP sFr 0.00

GH-215 21mm
Ø10mm
Ø12mm

UNION
Art.-Nr. 44.2879 Ref. VP sFr 0.00

GH-216 22mm
M4

UNION
Art.-Nr. 44.2880 Ref. VP sFr 26.40

GH-217 14mm
M5
Ø5mm

UNION
Art.-Nr. 44.2881 Ref. VP sFr 27.20

GH-218 M8

UNION
Art.-Nr. 44.2882 Ref. VP sFr 0.00

GH-219 14mm
M4

UNION
Art.-Nr. 44.2883 Ref. VP sFr 0.00

GH-220 14mm
M4

UNION
Art.-Nr. 44.2884 Ref. VP sFr 0.00

GH-221 17mm
M3

UNION
Art.-Nr. 44.2885 Ref. VP sFr 0.00

GH-222 17mm
M4
Ø12mm
M4

UNION
Art.-Nr. 44.2886 Ref. VP sFr 0.00

GH-223 17mm
17mm
Ø12mm
M4

UNION
Art.-Nr. 44.2887 Ref. VP sFr 24.80

GH-224 19mm
M4

UNION
Art.-Nr. 44.2888 Ref. VP sFr 0.00

GH-225 M12x1.75
30mm

UNION
Art.-Nr. 44.2889 Ref. VP sFr 0.00

GH-225 D586
M17x1.0
M12x1.75
31mm

UNION
Art.-Nr. 44.3439 Ref. VP sFr 0.00

GH-226 16mm
M3

UNION
Art.-Nr. 44.2890 Ref. VP sFr 0.00

GH-227 25mm
M3
M3
CNC

UNION
Art.-Nr. 44.1500 Ref. VP sFr 0.00

GH-227 10mm
38mm

UNION
Art.-Nr. 44.2891 Ref. VP sFr 21.60

GH-228 Ø10mm
41mm

UNION
Art.-Nr. 44.2892 Ref. VP sFr 0.00



Ausfallende Schaltauge Wechselhalter

Support de changement de patte dérailleur

44

GH-229 $\varnothing 10\text{mm}$
41mm

UNION
Art.-Nr. **44.2893** Ref. VP sFr **0.00**

GH-230 22mm M3
M3

UNION
Art.-Nr. **44.2894** Ref. VP sFr **0.00**

GH-231 18mm 18mm
M3

UNION
Art.-Nr. **44.2895** Ref. VP sFr **0.00**

GH-232 15mm
M4 $\varnothing 15\text{mm}$

UNION
Art.-Nr. **44.2896** Ref. VP sFr **0.00**

GH-233 M4 19mm $\varnothing 4\text{mm}$

UNION
Art.-Nr. **44.2897** Ref. VP sFr **0.00**

GH-234 17mm 17mm
M4

UNION
Art.-Nr. **44.2898** Ref. VP sFr **0.00**

GH-235 11mm $\varnothing 3\text{mm}$ $\varnothing 12\text{mm}$ M4

UNION
Art.-Nr. **44.2899** Ref. VP sFr **0.00**

GH-236 M3 $\varnothing 12\text{mm}$ 18mm

UNION
Art.-Nr. **44.2900** Ref. VP sFr **0.00**

GH-237 $\varnothing 10\text{mm}$ 45mm

UNION
Art.-Nr. **44.2901** Ref. VP sFr **0.00**

GH-238 20mm
M4

UNION
Art.-Nr. **44.2902** Ref. VP sFr **0.00**

GH-238 D483 20mm
M4

DILO
Art.-Nr. **44.3351** Ref. VP sFr **0.00**

GH-239 $\varnothing 10\text{mm}$ 47mm

UNION
Art.-Nr. **44.2903** Ref. VP sFr **0.00**

GH-240 23mm
M4

UNION
Art.-Nr. **44.2904** Ref. VP sFr **0.00**

GH-240 D270 23mm
M4

DILO
Art.-Nr. **44.3181** Ref. VP sFr **0.00**

GH-241 23mm
M4

UNION
Art.-Nr. **44.2905** Ref. VP sFr **0.00**

GH-242 13mm
M12x1.75
M3

UNION
Art.-Nr. **44.2906** Ref. VP sFr **0.00**

GH-243 18mm
M4

UNION
Art.-Nr. **44.2907** Ref. VP sFr **29.60**

GH-244 20mm $\varnothing 4\text{mm}$

UNION
Art.-Nr. **44.2908** Ref. VP sFr **0.00**

GH-245 21mm
M4

UNION
Art.-Nr. **44.2909** Ref. VP sFr **23.85**

GH-246 15mm
M4

UNION
Art.-Nr. **44.2910** Ref. VP sFr **0.00**



Ausfallende Schaltauge Wechselhalter

Support de changement de patte dérailleur

44

GH-247

M12x1.75
M16x1.0
28mm

UNION

Art.-Nr. **44.2911** Ref. VP sFr **0.00**

GH-248

23mm
M4

UNION

Art.-Nr. **44.2912** Ref. VP sFr **0.00**

GH-249

45mm
M12x1.75

UNION

Art.-Nr. **44.2913** Ref. VP sFr **29.60**

GH-250

45mm
M12x1.5

UNION

Art.-Nr. **44.2914** Ref. VP sFr **31.85**

GH-251

15mm
M5
M12x1.75

UNION

Art.-Nr. **44.2915** Ref. VP sFr **0.00**

GH-252

15mm
M5
M12x1.5

UNION

Art.-Nr. **44.2916** Ref. VP sFr **0.00**

GH-253

21mm
Ø4mm

UNION

Art.-Nr. **44.2917** Ref. VP sFr **0.00**

GH-254

18mm
M4

UNION

Art.-Nr. **44.2918** Ref. VP sFr **23.20**

GH-255

Ø10mm
47mm

UNION

Art.-Nr. **44.2919** Ref. VP sFr **0.00**

GH-256

20mm
M4

UNION

Art.-Nr. **44.2920** Ref. VP sFr **0.00**

GH-257

16mm
M4

UNION

Art.-Nr. **44.2921** Ref. VP sFr **33.60**

GH-257 D623

16mm
M4
P.I.L.O.

UNION

Art.-Nr. **44.3468** Ref. VP sFr **42.40**

GH-258

Ø10mm
42mm

UNION

Art.-Nr. **44.2922** Ref. VP sFr **23.20**

GH-259

15mm
Ø4mm
M4

UNION

Art.-Nr. **44.2923** Ref. VP sFr **0.00**

GH-260

28mm
M3

UNION

Art.-Nr. **44.2924** Ref. VP sFr **0.00**

GH-261

12mm
Ø4mm
Ø12mm
M4

UNION

Art.-Nr. **44.2925** Ref. VP sFr **0.00**

GH-263

26mm
M5

UNION

Art.-Nr. **44.5139** Ref. VP sFr **0.00**

D956

26mm
M5
P.I.L.O.

UNION

Art.-Nr. **44.6171** Ref. VP sFr **0.00**

GH-264

20mm
M3

UNION

Art.-Nr. **44.5140** Ref. VP sFr **0.00**

GH-266

20mm
M4

UNION

Art.-Nr. **44.5142** Ref. VP sFr **27.20**



Ausfallende Schaltauge Wechselhalter

Support de changement de patte dérailleur

44

D578

20mm
M4

PILO

Art.-Nr. **44.3433** Ref. VP sFr **47.85**

GH-267

20mm
M4

UNION

Art.-Nr. **44.5143** Ref. VP sFr **0.00**

GH-269

Ø 10 mm
54 mm

UNION

Art.-Nr. **44.5145** Ref. VP sFr **0.00**

GH-270

13 mm
M3

UNION

Art.-Nr. **44.5146** Ref. VP sFr **0.00**

GH-270 **D757**

13 mm
M3

PILO

Art.-Nr. **44.4224** Ref. VP sFr **0.00**

GH-271

12 mm 12 mm
M4

UNION

Art.-Nr. **44.5147** Ref. VP sFr **26.40**

GH-272

23 mm
M4

UNION

Art.-Nr. **44.5148** Ref. VP sFr **0.00**

GH-273

18 mm
M3

UNION

Art.-Nr. **44.5149** Ref. VP sFr **0.00**

GH-275

24 mm
M4

UNION

Art.-Nr. **44.5151** Ref. VP sFr **0.00**

D820

24 mm
M4

PILO

Art.-Nr. **44.5840** Ref. VP sFr **0.00**

GH-276

M5
36 mm

UNION

Art.-Nr. **44.5152** Ref. VP sFr **0.00**

GH-276 **D809**

M5
36 mm

PILO

Art.-Nr. **44.5829** Ref. VP sFr **0.00**

GH-277

M4
34 mm

UNION

Art.-Nr. **44.5153** Ref. VP sFr **0.00**

GH-278

M5
35 mm

UNION

Art.-Nr. **44.5154** Ref. VP sFr **0.00**

GH-278 **D841**

M5
35 mm

PILO

Art.-Nr. **44.5861** Ref. VP sFr **47.85**

GH-279

18 mm 18 mm
Ø 4 mm

UNION

Art.-Nr. **44.5155** Ref. VP sFr **0.00**

GH-280

24 mm
M4

UNION

Art.-Nr. **44.5156** Ref. VP sFr **0.00**

GH-281

26 mm
M5

UNION

Art.-Nr. **44.5157** Ref. VP sFr **0.00**

GH-281

26 mm
M5

UNION

Art.-Nr. **44.4533** Ref. VP sFr **0.00**

GH-283

15 mm
M3

UNION

Art.-Nr. **44.5159** Ref. VP sFr **26.40**



Ausfallende Schaltauge Wechselhalter

Support de changement de patte dérailleur

44

GH-284

15mm
M3

UNION

Art.-Nr. Ref. VP sFr **26.40**

Art.-Nr. Ref. VP sFr **0.00**

GH-285

20mm
M3

UNION

Art.-Nr. Ref. VP sFr **0.00**

GH-286

20mm
M4

UNION

Art.-Nr. Ref. VP sFr **0.00**

GH-287

20mm
M4

UNION

Art.-Nr. Ref. VP sFr **0.00**

GH-288

21mm
M3

UNION

Art.-Nr. Ref. VP sFr **0.00**

GH-289

13mm
M4

UNION

Art.-Nr. Ref. VP sFr **0.00**

GH-290

12mm
M4
Ø 12mm

UNION

Art.-Nr. Ref. VP sFr **0.00**

GH-290 D657

12mm
M4
Ø 12mm

PILO

Art.-Nr. Ref. VP sFr **54.40**

GH-291

12mm
M4
Ø 12mm

UNION

Art.-Nr. Ref. VP sFr **0.00**

GH-291 D672

12mm
M4
Ø 12mm

PILO

Art.-Nr. Ref. VP sFr **0.00**

GH-292

26mm
M5

UNION

Art.-Nr. Ref. VP sFr **0.00**

GH-292 D644

26mm
M5

PILO

Art.-Nr. Ref. VP sFr **0.00**

GH-293

25mm
M4

UNION

Art.-Nr. Ref. VP sFr **0.00**

GH-293 D753

25mm
M4

PILO

Art.-Nr. Ref. VP sFr **0.00**

GH-293 324

25mm
M4

UNION

Art.-Nr. Ref. VP sFr **0.00**

GH-294

38mm
M5

UNION

Art.-Nr. Ref. VP sFr **0.00**

GH-294 D709

40mm
M5

PILO

Art.-Nr. Ref. VP sFr **0.00**

GH-295

17mm
M5
Ø 12mm

UNION

Art.-Nr. Ref. VP sFr **0.00**

GH-296

18mm
M4
Ø 12mm

UNION

Art.-Nr. Ref. VP sFr **0.00**

GH-296 D707

19mm
M5
Ø 12mm

PILO

Art.-Nr. Ref. VP sFr **0.00**



Ausfallende Schaltauge Wechselhalter

Support de changement de patte dérailleur

44

GH-297 18mm
M5
Ø13mm
UNION
Art.-Nr. 44.1638 Ref. VP sFr 18.40

GH-297 18mm **D738**
M5
Ø 13 mm
PILO
Art.-Nr. 44.3980 Ref. VP sFr 0.00

GH-298
M12
17mm
M3
UNION
Art.-Nr. 44.5174 Ref. VP sFr 0.00

GH-298 **D741**
M12 x 1.0
30mm
M3
PILO
Art.-Nr. 44.4004 Ref. VP sFr 0.00

GH-299
16 mm
Ø 12mm
M4
UNION
Art.-Nr. 44.5175 Ref. VP sFr 0.00

GH-300
16 mm
Ø 12mm
M5
UNION
Art.-Nr. 44.5176 Ref. VP sFr 29.60

GH-300 **D737**
16mm
Ø12mm
M5
PILO
Art.-Nr. 44.3979 Ref. VP sFr 0.00

GH-301
26 mm
M4
UNION
Art.-Nr. 44.5177 Ref. VP sFr 0.00

GH-302 18mm
M4
Ø12mm
UNION
Art.-Nr. 44.5178 Ref. VP sFr 0.00

GH-302 19mm **373**
M5
Ø12mm
PILO
Art.-Nr. 44.4525 Ref. VP sFr 0.00

28 mm
M4
A107
PILO
Art.-Nr. 44.7010 Ref. VP sFr 25.30

Ø10mm
42mm
#01
PILO
Art.-Nr. 44.1522 Ref. VP sFr 0.00

Ø10mm
45mm
#02
PILO
Art.-Nr. 44.1425 Ref. VP sFr 44.80

Ø10mm
41mm
#03
PILO
Art.-Nr. 44.1459 Ref. VP sFr 0.00

Ø10mm
42mm
#04
PILO
Art.-Nr. 44.1522 Ref. VP sFr 0.00

M6
41 mm
#05
PILO
Art.-Nr. 44.1514 Ref. VP sFr 0.00

#06 Ø10mm
47mm
PILO
Art.-Nr. 44.1528 Ref. VP sFr 0.00

Ø10mm
44mm
#07
PILO
Art.-Nr. 44.1456 Ref. VP sFr 0.00

17mm
M3
#08
PILO
Art.-Nr. 44.3824 Ref. VP sFr 56.00

Ø8mm
39mm
#09
PILO
Art.-Nr. 44.1454 Ref. VP sFr 0.00



Ausfallende Schaltauge Wechselhalter

Support de changement de patte dérailleur

44

#10

Art.-Nr. **44.1532** Ref. VP sFr **0.00**

#11

Art.-Nr. **44.1441** Ref. VP sFr **0.00**

#12

Art.-Nr. **44.1439** Ref. VP sFr **0.00**

#13

Art.-Nr. **44.1418** Ref. VP sFr **18.40**

#14

Art.-Nr. **44.1527** Ref. VP sFr **0.00**

#15

Art.-Nr. **44.1458** Ref. VP sFr **0.00**

#16

Art.-Nr. **44.4223** Ref. VP sFr **0.00**

#17

Art.-Nr. **44.1577** Ref. VP sFr **36.00**

#18 CNC

Art.-Nr. **44.1505** Ref. VP sFr **0.00**

#19

Art.-Nr. **44.1620** Ref. VP sFr **47.95**

#20

Art.-Nr. **44.1449** Ref. VP sFr **0.00**

#21

Art.-Nr. **44.1588** Ref. VP sFr **39.85**

#22 CNC

Art.-Nr. **44.1594** Ref. VP sFr **39.20**

#23

Art.-Nr. **44.2555** Ref. VP sFr **0.00**

#24 D13

Art.-Nr. **44.3120** Ref. VP sFr **0.00**

#25 D19

Art.-Nr. **44.3125** Ref. VP sFr **0.00**

#26 D26

Art.-Nr. **44.3541** Ref. VP sFr **0.00**

#27 D28

Art.-Nr. **44.3189** Ref. VP sFr **0.00**

#28 D30

Art.-Nr. **44.3204** Ref. VP sFr **0.00**

#29 D32

Art.-Nr. **44.3553** Ref. VP sFr **0.00**



Ausfallende Schaltauge Wechselhalter

Support de changement de patte dérailleur

44




D38
Ø10mm
43mm

Art.-Nr. **44.3537** Ref. VP sFr **0.00**



D46
Ø5mm 15mm
M3

Art.-Nr. **44.3538** Ref. VP sFr **0.00**




D47
28mm
Ø10mm
M4

Art.-Nr. **44.3337** Ref. VP sFr **0.00**



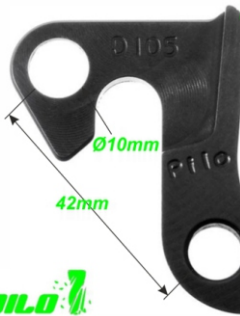
D48
Ø10mm
43mm

Art.-Nr. **44.1481** Ref. VP sFr **0.00**



D68
Ø10mm
47mm

Art.-Nr. **44.3508** Ref. VP sFr **21.60**



D105
Ø10mm
42mm

Art.-Nr. **44.3057** Ref. VP sFr **63.85**



D106
41mm
M4

Art.-Nr. **44.3058** Ref. VP sFr **0.00**



D109
21mm
M3

Art.-Nr. **44.3060** Ref. VP sFr **0.00**



D110
Ø10mm
43mm

Art.-Nr. **44.3061** Ref. VP sFr **0.00**



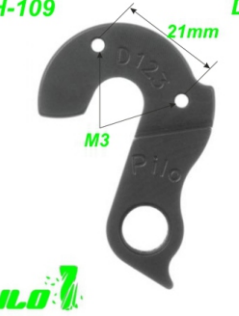
D119
M12 x 1.75
21.7mm
42mm

Art.-Nr. **44.3531** Ref. VP sFr **0.00**




D122
M5
43mm

Art.-Nr. **44.3070** Ref. VP sFr **0.00**




D123
21mm
M3

Art.-Nr. **44.3071** Ref. VP sFr **0.00**



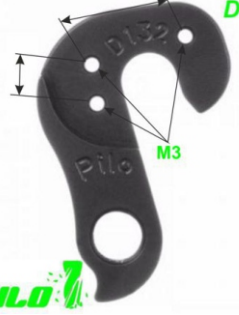
D127
Ø10mm
43mm

Art.-Nr. **44.3075** Ref. VP sFr **0.00**




D131
14mm 14mm
Ø4mm
D137

Art.-Nr. **44.3078** Ref. VP sFr **39.20**



D132
M3

Art.-Nr. **44.3079** Ref. VP sFr **0.00**



D135
25mm
Ø 10 mm

Art.-Nr. **44.3080** Ref. VP sFr **0.00**



D141
21mm
Ø10mm

Art.-Nr. **44.3087** Ref. VP sFr **40.80**



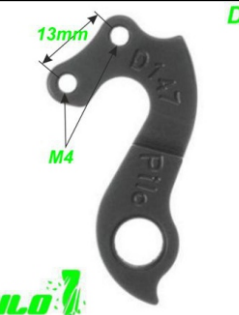
D143
M12 x 1.75
17mm
42mm

Art.-Nr. **44.3532** Ref. VP sFr **0.00**



D145
16mm
Ø10mm

Art.-Nr. **44.3090** Ref. VP sFr **44.00**



D147
13mm
M4

Art.-Nr. **44.3092** Ref. VP sFr **0.00**



Ausfallende Schaltauge Wechselhalter

Support de changement de patte dérailleur

44

D149
25mm
M6
PILLO
Art.-Nr. Ref. VP sFr **0.00**

D156
11mm
Ø5mm
PILLO
Art.-Nr. Ref. VP sFr **0.00**

D158
21mm
Ø4mm
PILLO
Art.-Nr. Ref. VP sFr **0.00**

D159
19mm
M4
PILLO
Art.-Nr. Ref. VP sFr **0.00**

D161
15mm
Ø4mm
PILLO
Art.-Nr. Ref. VP sFr **0.00**

D162
15mm
Ø3mm
PILLO
Art.-Nr. Ref. VP sFr **0.00**

D181
M8
32mm
32mm
PILLO
Art.-Nr. Ref. VP sFr **0.00**

D182
37mm
M5
PILLO
Art.-Nr. Ref. VP sFr **0.00**

D184
Ø5mm
45mm
PILLO
Art.-Nr. Ref. VP sFr **0.00**

D190
16mm
8mm
M4
PILLO
Art.-Nr. Ref. VP sFr **63.85**

D194
20mm
M5
PILLO
Art.-Nr. Ref. VP sFr **0.00**

D195
20mm
M3
PILLO
Art.-Nr. Ref. VP sFr **0.00**

D201
21mm
Ø5mm
PILLO
Art.-Nr. Ref. VP sFr **0.00**

D212
20mm
20mm
M4
PILLO
Art.-Nr. Ref. VP sFr **0.00**

D219
21mm
M3
PILLO
Art.-Nr. Ref. VP sFr **0.00**

D225
Ø10mm
44mm
PILLO
Art.-Nr. Ref. VP sFr **37.60**

D231
Ø10mm
51mm
PILLO
Art.-Nr. Ref. VP sFr **0.00**

D232
15mm
M12x1.0
15mm
M3
PILLO
Art.-Nr. Ref. VP sFr **0.00**

D234
23mm
M12x1.5
M6
PILLO
Art.-Nr. Ref. VP sFr **0.00**

D249
Ø 17 mm
30 mm
PILLO
Art.-Nr. Ref. VP sFr **0.00**



Ausfallende Schaltauge Wechselhalter

Support de changement de patte dérailleur

44

D250

16mm
16mm
M4

Art.-Nr. **44.1611** Ref. VP sFr **42.40**

D251

29mm
Ø4mm

Art.-Nr. **44.3167** Ref. VP sFr **0.00**

D260

24mm
Ø5mm

Art.-Nr. **44.3171** Ref. VP sFr **0.00**

D261

14 mm
Ø 4 mm
Ø 12 mm

Art.-Nr. **44.3172** Ref. VP sFr **39.20**

D262

M12x1.75
Ø 8mm

Art.-Nr. **44.3173** Ref. VP sFr **0.00**

D266

50mm
Ø10mm

Art.-Nr. **44.3177** Ref. VP sFr **0.00**

D275

13mm
13mm
Ø4mm
Ø12mm

Art.-Nr. **44.3184** Ref. VP sFr **0.00**

D278

20mm
Ø4mm

Art.-Nr. **44.3187** Ref. VP sFr **43.20**

D279

Ø4mm
40mm

Art.-Nr. **44.3188** Ref. VP sFr **0.00**

D285

20mm
M5

Art.-Nr. **44.3193** Ref. VP sFr **0.00**

D288

M8
M12x1.0
23mm

Art.-Nr. **44.3195** Ref. VP sFr **0.00**

D291

11mm
M5

Art.-Nr. **44.3198** Ref. VP sFr **0.00**

D313

17mm
M4

Art.-Nr. **44.6285** Ref. VP sFr **0.00**

D316

15mm
M5
Ø5mm

Art.-Nr. **44.3214** Ref. VP sFr **47.20**

D317

Ø 10 mm
30mm
M12x1.0

Art.-Nr. **44.3215** Ref. VP sFr **0.00**

D319

Ø10mm
7.75mm
47mm

Art.-Nr. **44.3536** Ref. VP sFr **0.00**

D336

14mm
Ø4mm

Art.-Nr. **44.3227** Ref. VP sFr **62.40**

D341

18mm
Ø5mm

Art.-Nr. **44.1603** Ref. VP sFr **0.00**

D343

14 mm
M4

Art.-Nr. **44.3233** Ref. VP sFr **0.00**

D350

16mm
16mm
M4

Art.-Nr. **44.3237** Ref. VP sFr **40.80**



Ausfallende Schaltauge Wechselhalter

Support de changement de patte dérailleur

44

D352

Art.-Nr. **44.3239** Ref. VP sFr **0.00**

D354

Art.-Nr. **44.3240** Ref. VP sFr **0.00**

D360

Art.-Nr. **44.3244** Ref. VP sFr **0.00**

D361

Art.-Nr. **44.3245** Ref. VP sFr **0.00**

D364

Art.-Nr. **44.3247** Ref. VP sFr **0.00**

D371

Art.-Nr. **44.3251** Ref. VP sFr **0.00**

D382

Art.-Nr. **44.3261** Ref. VP sFr **0.00**

D385

Art.-Nr. **44.3264** Ref. VP sFr **0.00**

D386

Art.-Nr. **44.3265** Ref. VP sFr **0.00**

D388

Art.-Nr. **44.3267** Ref. VP sFr **62.40**

D393

Art.-Nr. **44.3270** Ref. VP sFr **0.00**

D398

Art.-Nr. **44.3274** Ref. VP sFr **0.00**

D399

Art.-Nr. **44.3276** Ref. VP sFr **0.00**

D400

Art.-Nr. **44.3277** Ref. VP sFr **0.00**

D403

Art.-Nr. **44.3279** Ref. VP sFr **66.40**

D407

Art.-Nr. **44.3281** Ref. VP sFr **0.00**

D416

Art.-Nr. **44.3289** Ref. VP sFr **43.20**

D418

Art.-Nr. **44.3291** Ref. VP sFr **49.45**

D427

Art.-Nr. **44.3299** Ref. VP sFr **0.00**

D439


Art.-Nr. **44.3307** Ref. VP sFr **0.00**



Ausfallende Schaltauge Wechselhalter

Support de changement de patte dérailleur

44



18mm
D449
M4
Pilo

Art.-Nr. 44.3316 Ref. VP sFr 38.40



D457
M3
Pilo

Art.-Nr. 44.3324 Ref. VP sFr 63.85



16mm
D458
M4
Pilo

Art.-Nr. 44.3325 Ref. VP sFr 42.40



M12x1.75
29mm
Pilo

Art.-Nr. 44.3339 Ref. VP sFr 0.00



21mm
D473
Pilo
Ø3mm innen M3

Art.-Nr. 44.3340 Ref. VP sFr 0.00



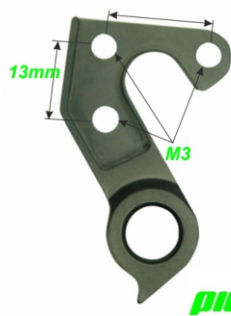
14mm
D475
M4
Pilo

Art.-Nr. 44.3342 Ref. VP sFr 0.00



M16x1.0
M12x1.75
D477
Pilo
45mm

Art.-Nr. 44.3344 Ref. VP sFr 0.00



13mm
D482
M3
Pilo

Art.-Nr. 44.3350 Ref. VP sFr 0.00



15mm
D484
Ø15mm
M5
Pilo

Art.-Nr. 44.3352 Ref. VP sFr 54.40



D493
Ø4mm
Pilo

Art.-Nr. 44.3360 Ref. VP sFr 0.00



23mm
D498
14mm
M4
Pilo

Art.-Nr. 44.3363 Ref. VP sFr 0.00




16mm
499
Ø 4 mm
Pilo

Art.-Nr. 44.1504 Ref. VP sFr 61.60



20mm
D500
M4
Pilo

Art.-Nr. 44.3365 Ref. VP sFr 0.00




3.5mm
D514
16mm
M3
Pilo

Art.-Nr. 44.3378 Ref. VP sFr 0.00



D515
Ø12mm
13mm
Ø3mm
Pilo

Art.-Nr. 44.3379 Ref. VP sFr 0.00



20mm
D516
M3
Pilo

Art.-Nr. 44.3380 Ref. VP sFr 0.00



D519
M12x1.75
M4
23mm
Pilo

Art.-Nr. 44.3383 Ref. VP sFr 0.00



D521
M17 x 1
16mm
Ø4mm
Pilo

Art.-Nr. 44.3384 Ref. VP sFr 0.00



D522
Ø10mm
20mm
M12
Pilo

Art.-Nr. 44.3385 Ref. VP sFr 0.00



D523
M12x1.75
29mm
Pilo

Art.-Nr. 44.3386 Ref. VP sFr 0.00



Ausfallende Schaltauge Wechselhalter


Support de changement de patte dérailleur

44



D524
37mm
Ø4mm
Ø12mm
Pilo

Art.-Nr. **44.3387** Ref. VP sFr **51.20**



D527
Ø4mm
12mm
Ø12mm

Art.-Nr. **44.3390** Ref. VP sFr **60.65**



D530
15mm
Ø12mm
M5

Art.-Nr. **44.3392** Ref. VP sFr **44.80**



D531
Ø4mm
12mm
Ø12mm

Art.-Nr. **44.3393** Ref. VP sFr **0.00**



D533
31mm
M3

Art.-Nr. **44.3395** Ref. VP sFr **0.00**



D538
Ø10mm
22mm
Ø12mm

Art.-Nr. **44.3400** Ref. VP sFr **0.00**




D539
Ø3mm
Ø12mm

Art.-Nr. **44.3401** Ref. VP sFr **0.00**



D545
M3
Ø12mm

Art.-Nr. **44.3404** Ref. VP sFr **0.00**



D552
14mm
M4

Art.-Nr. **44.3410** Ref. VP sFr **0.00**




D554
17mm
M3
Ø12mm

Art.-Nr. **44.3412** Ref. VP sFr **47.85**



D555

Art.-Nr. **44.3413** Ref. VP sFr **0.00**




D558
16mm
M5
Ø15mm

Art.-Nr. **44.3415** Ref. VP sFr **63.95**



D562
15mm
Ø4mm

Art.-Nr. **44.3419** Ref. VP sFr **0.00**



D564
M5
15mm
Ø10mm

Art.-Nr. **44.3421** Ref. VP sFr **63.85**



D572
M3
M4

Art.-Nr. **44.3428** Ref. VP sFr **0.00**



D578
20mm
M4

Art.-Nr. **44.3433** Ref. VP sFr **47.85**




D592
12mm
M4

Art.-Nr. **44.3443** Ref. VP sFr **0.00**




D593
16mm
M4

Art.-Nr. **44.3444** Ref. VP sFr **47.20**



D594
11mm
M5

Art.-Nr. **44.3445** Ref. VP sFr **0.00**



D597
Ø10mm
42mm

Art.-Nr. **44.3448** Ref. VP sFr **0.00**



Ausfallende Schaltauge Wechselhalter

Support de changement de patte dérailleur

44

D599

Ø 10mm
39mm

Art.-Nr. Ref. VP sFr **0.00**

D600

24mm
M4

Art.-Nr. Ref. VP sFr **0.00**

D606

11mm
M4
11mm

Art.-Nr. Ref. VP sFr **0.00**

D609

11mm
Ø12mm
Ø3mm

Art.-Nr. Ref. VP sFr **0.00**

D610

19mm
M3

Art.-Nr. Ref. VP sFr **0.00**

D621

18mm
M5
Ø 12 mm

Art.-Nr. Ref. VP sFr **0.00**

GH-257

16mm
M4

Art.-Nr. Ref. VP sFr **42.40**

D624

24mm
M4

Art.-Nr. Ref. VP sFr **21.60**

D629

14mm
M6

Art.-Nr. Ref. VP sFr **0.00**

D632

15mm
M4

Art.-Nr. Ref. VP sFr **0.00**

D633

10mm
Ø3mm
Ø12mm

Art.-Nr. Ref. VP sFr **0.00**

D634

25mm
M4

Art.-Nr. Ref. VP sFr **44.00**

D635

14mm
12mm
M4

Art.-Nr. Ref. VP sFr **47.20**

D644

26mm
M5

Art.-Nr. Ref. VP sFr **0.00**

D645

Ø10mm
31mm

Art.-Nr. Ref. VP sFr **0.00**

D651

16mm
M5
M12x1.5

Art.-Nr. Ref. VP sFr **47.70**

D652

22mm
M12x
M4

Art.-Nr. Ref. VP sFr **0.00**

D655

23mm
Ø4mm
M4

Art.-Nr. Ref. VP sFr **0.00**

D657

12mm
M4
Ø12mm

Art.-Nr. Ref. VP sFr **54.40**

D668

Ø4mm

Art.-Nr. Ref. VP sFr **0.00**



Ausfallende Schaltauge Wechselhalter

Support de changement de patte dérailleur

44

 <p>15mm D671 M4 PILO</p> <p>Art.-Nr. 44.3501 Ref. <input type="text"/> VP sFr 45.60</p>	 <p>M4 12mm D672 Ø12mm PILO</p> <p>Art.-Nr. 44.3502 Ref. <input type="text"/> VP sFr 0.00</p>	 <p>24mm D683 M3 PILO</p> <p>Art.-Nr. 44.3512 Ref. <input type="text"/> VP sFr 0.00</p>	 <p>15mm D687 Ø3mm Ø12mm D687 PILO</p> <p>Art.-Nr. 44.3544 Ref. <input type="text"/> VP sFr 0.00</p>
 <p>15mm D688 Ø12mm M4 D688 PILO</p> <p>Art.-Nr. 44.3545 Ref. <input type="text"/> VP sFr 0.00</p>	 <p>19mm D689 Ø3mm D689 PILO</p> <p>Art.-Nr. 44.3546 Ref. <input type="text"/> VP sFr 0.00</p>	 <p>19mm D694 M4 D694 PILO</p> <p>Art.-Nr. 44.3550 Ref. <input type="text"/> VP sFr 0.00</p>	 <p>12mm M12 x 1.0 D696 M3 PILO</p> <p>Art.-Nr. 44.3823 Ref. <input type="text"/> VP sFr 0.00</p>
 <p>17mm D704 M4 M12x1.0 PILO</p> <p>Art.-Nr. 44.3866 Ref. <input type="text"/> VP sFr 0.00</p>	 <p>M3 13mm D705 Ø12.5mm PILO</p> <p>Art.-Nr. 44.3867 Ref. <input type="text"/> VP sFr 0.00</p>	 <p>22mm D706 M3 PILO</p> <p>Art.-Nr. 44.3868 Ref. <input type="text"/> VP sFr 0.00</p>	 <p>GH-296 19mm D707 M5 Ø12mm D707 PILO</p> <p>Art.-Nr. 44.3869 Ref. <input type="text"/> VP sFr 0.00</p>
 <p>GH-294 40mm D709 M5 D709 PILO</p> <p>Art.-Nr. 44.3871 Ref. <input type="text"/> VP sFr 0.00</p>	 <p>D712 11mm M4 PILO</p> <p>Art.-Nr. 44.3874 Ref. <input type="text"/> VP sFr 0.00</p>	 <p>15mm D713 M4 M12x1.75 D713 PILO</p> <p>Art.-Nr. 44.3875 Ref. <input type="text"/> VP sFr 0.00</p>	 <p>15mm D714 M4 M12x1.0 D714 PILO</p> <p>Art.-Nr. 44.3876 Ref. <input type="text"/> VP sFr 40.80</p>
 <p>D715 24mm Ø4mm D715 PILO</p> <p>Art.-Nr. 44.3877 Ref. <input type="text"/> VP sFr 0.00</p>	 <p>D716 16mm M3 D716 PILO</p> <p>Art.-Nr. 44.3878 Ref. <input type="text"/> VP sFr 0.00</p>	 <p>11mm D717 M4 Ø14mm D717 PILO</p> <p>Art.-Nr. 44.3879 Ref. <input type="text"/> VP sFr 0.00</p>	 <p>18mm D718 M3 PILO</p> <p>Art.-Nr. 44.3960 Ref. <input type="text"/> VP sFr 0.00</p>



Ausfallende Schaltauge Wechselhalter

Support de changement de patte dérailleur

44

GH-216 **D722**

Art.-Nr. **44.3964** Ref. VP sFr **0.00**

M7 **D723**

Art.-Nr. **44.3965** Ref. VP sFr **44.00**

D732

Art.-Nr. **44.3978** Ref. VP sFr **0.00**

M4 **D733**

Art.-Nr. **44.3975** Ref. VP sFr **0.00**

M4 **D735**

Art.-Nr. **44.3977** Ref. VP sFr **0.00**

GH-300 **D737**

Art.-Nr. **44.3979** Ref. VP sFr **0.00**

GH-297 **D738**

Art.-Nr. **44.3980** Ref. VP sFr **0.00**

GH-298 **D741**

Art.-Nr. **44.4004** Ref. VP sFr **0.00**

D742

Art.-Nr. **44.4209** Ref. VP sFr **0.00**

D745

Art.-Nr. **44.4212** Ref. VP sFr **0.00**

M12x1.0 **D747**

Art.-Nr. **44.4214** Ref. VP sFr **52.00**

GH-293 **D753**

Art.-Nr. **44.4220** Ref. VP sFr **0.00**

GH-270 **D757**

Art.-Nr. **44.4224** Ref. VP sFr **0.00**

M3 **D762**

Art.-Nr. **44.4229** Ref. VP sFr **0.00**

M4 **D763**

Art.-Nr. **44.4230** Ref. VP sFr **0.00**

D764

Art.-Nr. **44.4231** Ref. VP sFr **0.00**

D765

Art.-Nr. **44.4232** Ref. VP sFr **0.00**

D768

Art.-Nr. **44.4235** Ref. VP sFr **0.00**

M3 **D773**

Art.-Nr. **44.4486** Ref. VP sFr **0.00**

D776

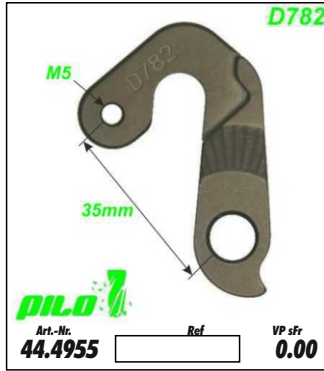
Art.-Nr. **44.4950** Ref. VP sFr **0.00**



Ausfallende Schaltauge Wechselhalter

Support de changement de patte dérailleur

44





Ausfallende Schaltauge Wechselhalter

Support de changement de patte dérailleur

44

D828
18mm
M3
PILO

Art.-Nr. **44.5848** Ref. VP sFr **0.00**

D830
13mm
Ø14mm
M3
PILO

Art.-Nr. **44.5850** Ref. VP sFr **0.00**

D832
15mm
Ø4mm
Ø14mm
PILO

Art.-Nr. **44.5852** Ref. VP sFr **0.00**

D834
31mm
M12 x 1.5
PILO

Art.-Nr. **44.5854** Ref. VP sFr **62.40**

D835
13mm
13mm
Ø12mm
M4
PILO

Art.-Nr. **44.5855** Ref. VP sFr **0.00**

D836
M8
47mm
PILO

Art.-Nr. **44.5856** Ref. VP sFr **0.00**

D839
15mm
Ø12mm
M5
PILO

Art.-Nr. **44.5859** Ref. VP sFr **0.00**

D841
M5
35mm
PILO

Art.-Nr. **44.5861** Ref. VP sFr **4785**

D843
M3
13mm
Ø12mm
PILO

Art.-Nr. **44.5863** Ref. VP sFr **0.00**

D844
Ø5mm
12mm
M12x1.5
PILO

Art.-Nr. **44.5864** Ref. VP sFr **0.00**

D846
20mm
M4
PILO

Art.-Nr. **44.5866** Ref. VP sFr **0.00**

D847
Ø10mm
42mm
PILO

Art.-Nr. **44.5867** Ref. VP sFr **0.00**

D852
21mm
M4
PILO

Art.-Nr. **44.5872** Ref. VP sFr **0.00**

D853
Ø5mm
PILO

Art.-Nr. **44.5873** Ref. VP sFr **57.60**

D856
49mm
M3
M12x1.5
PILO

Art.-Nr. **44.5876** Ref. VP sFr **0.00**

D860
22mm
M3
PILO

Art.-Nr. **44.5880** Ref. VP sFr **0.00**

D861
9mm
M3
PILO

Art.-Nr. **44.5881** Ref. VP sFr **0.00**

D869
M12x1.5
15mm
M3
PILO

Art.-Nr. **44.5889** Ref. VP sFr **0.00**

D873
14mm
M3
Ø12mm
PILO

Art.-Nr. **44.6087** Ref. VP sFr **0.00**

D874
16mm
Ø12mm
M4
PILO

Art.-Nr. **44.6088** Ref. VP sFr **0.00**



Ausfallende Schaltauge Wechselhalter

Support de changement de patte dérailleur

44



D880

14mm
Ø3mm
Ø15mm

Art.-Nr. **44.6094** Ref. VP sFr **0.00**



D882

M12x1.0
27mm

Art.-Nr. **44.6096** Ref. VP sFr **0.00**



D883

M12x1.75
28mm

Art.-Nr. **44.6097** Ref. VP sFr **18.40**



D884

M12x1.5
14mm
M3

Art.-Nr. **44.6098** Ref. VP sFr **0.00**



D885

M12x1.75
30mm

Art.-Nr. **44.6099** Ref. VP sFr **0.00**



D888

29mm
Ø4mm

Art.-Nr. **44.6102** Ref. VP sFr **0.00**



D889

29mm
Ø4mm

Art.-Nr. **44.6103** Ref. VP sFr **0.00**



D892

M12
32mm

Art.-Nr. **44.6106** Ref. VP sFr **0.00**



D894

18mm
M5
Ø12mm

Art.-Nr. **44.6108** Ref. VP sFr **0.00**



D898

14mm
Ø 12 mm
M4


Art.-Nr. **44.6113** Ref. VP sFr **0.00**



D905

Ø12mm
Ø8mm
M4

Art.-Nr. **44.6120** Ref. VP sFr **0.00**



D915

15mm
M4

Art.-Nr. **44.6130** Ref. VP sFr **0.00**



D922

27mm
Ø4mm

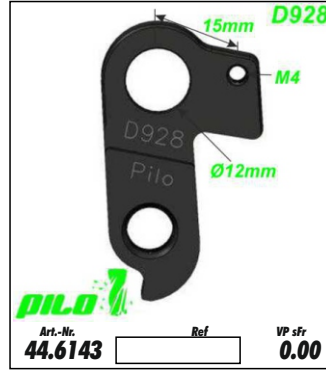
Art.-Nr. **44.6137** Ref. VP sFr **0.00**



D924

15mm
M12x1.75
M4

Art.-Nr. **44.6139** Ref. VP sFr **0.00**



D928

15mm
M4
Ø12mm

Art.-Nr. **44.6143** Ref. VP sFr **0.00**



D930

15mm
15mm
Ø4mm
Ø12mm

Art.-Nr. **44.6145** Ref. VP sFr **0.00**



D932

Ø10mm
45mm

Art.-Nr. **44.6147** Ref. VP sFr **0.00**



D936

11mm
M3
M12x1.0

Art.-Nr. **44.6151** Ref. VP sFr **0.00**



D945

12mm
M12x1.75
M4

Art.-Nr. **44.6160** Ref. VP sFr **0.00**



D951

16mm
M5
M12x1.5

Art.-Nr. **44.6166** Ref. VP sFr **0.00**



Ausfallende Schaltauge Wechselhalter

Support de changement de patte dérailleur

44

D956

26mm
M5

Art.-Nr. **44.6171** Ref. VP sFr **0.00**

D957

18mm
M3

Art.-Nr. **44.6172** Ref. VP sFr **0.00**

D959

18mm
M3

Art.-Nr. **44.6174** Ref. VP sFr **0.00**

D960

13mm
M3

Art.-Nr. **44.6175** Ref. VP sFr **0.00**

D967

Ø15mm
13mm
M4

Art.-Nr. **44.6182** Ref. VP sFr **0.00**

D971

17mm
17mm
Ø4mm
Ø12mm

Art.-Nr. **44.6186** Ref. VP sFr **0.00**

D975

15mm
Ø14mm
Ø4mm

Art.-Nr. **44.6190** Ref. VP sFr **0.00**

D977

16mm
Ø15mm
M4

Art.-Nr. **44.6192** Ref. VP sFr **0.00**

D978

M12x1.5
30mm
Ø12mm

Art.-Nr. **44.6193** Ref. VP sFr **0.00**

D981

17mm
Ø12mm
Ø3mm

Art.-Nr. **44.6196** Ref. VP sFr **0.00**

D984

Ø10mm
36mm

Art.-Nr. **44.6199** Ref. VP sFr **0.00**

D990

24mm
M4

Art.-Nr. **44.6205** Ref. VP sFr **0.00**

D1000

M12x1.0
32mm
M12x1.5

Art.-Nr. **44.6215** Ref. VP sFr **31.95**

D1001

M12x1.75
30mm

Art.-Nr. **44.6216** Ref. VP sFr **0.00**

D1006

11mm
M5

Art.-Nr. **44.6221** Ref. VP sFr **0.00**

D1009

15mm
15mm
Ø5mm
Ø12mm

Art.-Nr. **44.6224** Ref. VP sFr **0.00**

D1014

Ø12mm
4mm
13mm
M3

Art.-Nr. **44.6229** Ref. VP sFr **0.00**

D1015

22mm
M5
M12x1.75

Art.-Nr. **44.6230** Ref. VP sFr **0.00**

D1016

12mm
Ø12mm
M4

Art.-Nr. **44.6231** Ref. VP sFr **0.00**

D1019

11mm
M3

Art.-Nr. **44.6234** Ref. VP sFr **40.80**



Ausfallende Schaltauge Wechselhalter

Support de changement de patte dérailleur

44

D1026
 Ø12mm 17mm M4
 Art.-Nr. 44.6241 Ref. VP sFr 0.00

D1036
 Art.-Nr. 44.6251 Ref. VP sFr 52.80

D1038
 M12x1.5 12mm M4
 Art.-Nr. 44.6253 Ref. VP sFr 0.00

D1045
 M3 42mm
 Art.-Nr. 44.6260 Ref. VP sFr 0.00

D1066
 17mm Ø3mm Ø12mm
 Art.-Nr. 44.6281 Ref. VP sFr 0.00

D1116
 Art.-Nr. 44.6476 Ref. VP sFr 47.95

D1116
 M12x1.75 28mm M16x1.0
 Art.-Nr. 44.3343 Ref. VP sFr 0.00

D1116
 10mm 38mm
 Art.-Nr. 44.1482 Ref. VP sFr 28.80

L398
 Ø12mm 21mm Ø3mm
 Art.-Nr. 44.3275 Ref. VP sFr 0.00

S14
 Art.-Nr. 44.3953 Ref. VP sFr 42.40

S14
 M12x1.0
 Art.-Nr. 44.6058 Ref. VP sFr 15.95

001
 Ø4mm 25mm
 Art.-Nr. 44.1420 Ref. VP sFr 0.00

002
 M3 22mm
 Art.-Nr. 44.1608 Ref. VP sFr 0.00

003
 M3 22mm
 Art.-Nr. 44.1609 Ref. VP sFr 0.00

004
 15mm Ø4mm
 Art.-Nr. 44.1437 Ref. VP sFr 0.00

005
 25mm M3
 Art.-Nr. 44.1500 Ref. VP sFr 0.00

006
 14mm M4
 Art.-Nr. 44.1617 Ref. VP sFr 0.00

007
 Ø10mm 45mm
 Art.-Nr. 44.1423 Ref. VP sFr 18.40

008
 Ø5mm 40mm
 Art.-Nr. 44.1602 Ref. VP sFr 0.00

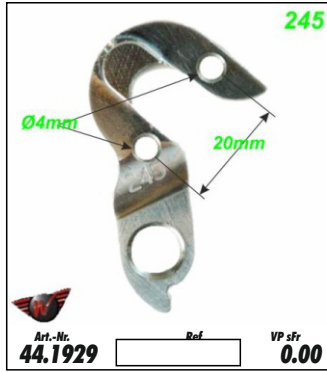
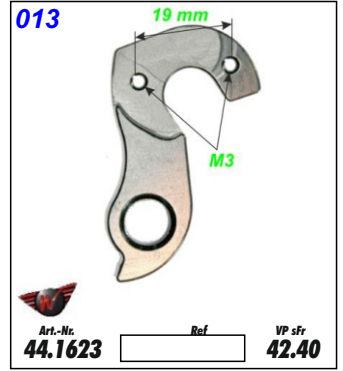
009
 Ø10mm 45mm
 Art.-Nr. 44.1438 Ref. VP sFr 0.00



Ausfallende Schaltauge Wechselhalter

Support de changement de patte dérailleur

44





Ausfallende Schaltauge Wechselhalter

Support de changement de patte dérailleur

44

283

17mm
M3

Art.-Nr. Ref. VP sFr 0.00

44.3825

284

19mm Ø12mm
M5

Art.-Nr. Ref. VP sFr 56.00

44.3826

285

40mm
M5

Art.-Nr. Ref. VP sFr 0.00

44.3827

288

31mm
M12x1

Art.-Nr. Ref. VP sFr 0.00

44.3830

290

17mm
M3

Art.-Nr. Ref. VP sFr 0.00

44.3831

293

15mm
M12x1
M4

Art.-Nr. Ref. VP sFr 0.00

44.3835

295

15mm
M12x1.75
M4

Art.-Nr. Ref. VP sFr 0.00

44.3836

298

31mm
M12x1.5

Art.-Nr. Ref. VP sFr 0.00

44.3837

306

11mm
M5
Ø12mm

Art.-Nr. Ref. VP sFr 0.00

44.3996

318

30mm
M12x1.75

Art.-Nr. Ref. VP sFr 0.00

44.3999

321

13mm
M3

Art.-Nr. Ref. VP sFr 0.00

44.4002

326

15mm
Ø4mm
Ø12mm

Art.-Nr. Ref. VP sFr 0.00

44.4006

329

16mm
M5
M12x1.5

Art.-Nr. Ref. VP sFr 0.00

44.4488

331

26mm
M5

Art.-Nr. Ref. VP sFr 0.00

44.4490

332

21mm
M3

Art.-Nr. Ref. VP sFr 0.00

44.4491

333

14mm
M3
Ø12mm

Art.-Nr. Ref. VP sFr 0.00

44.4492

334

22mm
M3

Art.-Nr. Ref. VP sFr 0.00

44.4493

335

15mm
Ø12mm
Ø3mm

Art.-Nr. Ref. VP sFr 0.00

44.4494

336

15mm
Ø12mm
Ø3mm

Art.-Nr. Ref. VP sFr 0.00

44.4495

337

10mm
Ø4mm
Ø12mm

Art.-Nr. Ref. VP sFr 0.00

44.4496



Ausfallende Schalttauge Wechselhalter

Support de changement de patte dérailleur

44

338

18mm
Ø4mm
Ø12mm

Art.-Nr. **44.4497** Ref. VP sFr **0.00**

339

22mm
M4

Art.-Nr. **44.4498** Ref. VP sFr **0.00**

342

15mm
M4
Ø12mm

Art.-Nr. **44.4499** Ref. VP sFr **0.00**

347

19mm
M4

Art.-Nr. **44.4504** Ref. VP sFr **0.00**

350

16mm
M3

Art.-Nr. **44.4507** Ref. VP sFr **0.00**

351

M12x1.75
M4
14mm

Art.-Nr. **44.4508** Ref. VP sFr **0.00**

352

Ø10mm
40mm

Art.-Nr. **44.4509** Ref. VP sFr **39.95**

359

11mm
Ø4mm
Ø13mm

Art.-Nr. **44.4513** Ref. VP sFr **0.00**

361

M12x1.0 aussen M17
28mm

Art.-Nr. **44.4515** Ref. VP sFr **0.00**

365

20mm
M12 x 1.0
M5

Art.-Nr. **44.4518** Ref. VP sFr **0.00**

366

18mm
M4
Ø15mm

Art.-Nr. **44.4519** Ref. VP sFr **0.00**

371

18mm
M4
Ø15mm

Art.-Nr. **44.4523** Ref. VP sFr **0.00**

372

20mm
M5
M12x1.0

Art.-Nr. **44.4524** Ref. VP sFr **0.00**

374

19mm
M5
Ø12mm

Art.-Nr. **44.4526** Ref. VP sFr **0.00**

998

12mm
M3
M12x1.5

Art.-Nr. **44.4527** Ref. VP sFr **0.00**

999

26mm
M5

Art.-Nr. **44.4533** Ref. VP sFr **0.00**

1000

M8
15mm

Art.-Nr. **44.1606** Ref. VP sFr **0.00**

52

Ø10mm
50mm

META

Art.-Nr. **44.4297** Ref. VP sFr **0.00**

62

24mm
M4

META

Art.-Nr. **44.4298** Ref. VP sFr **0.00**

97

12mm
M12
M3

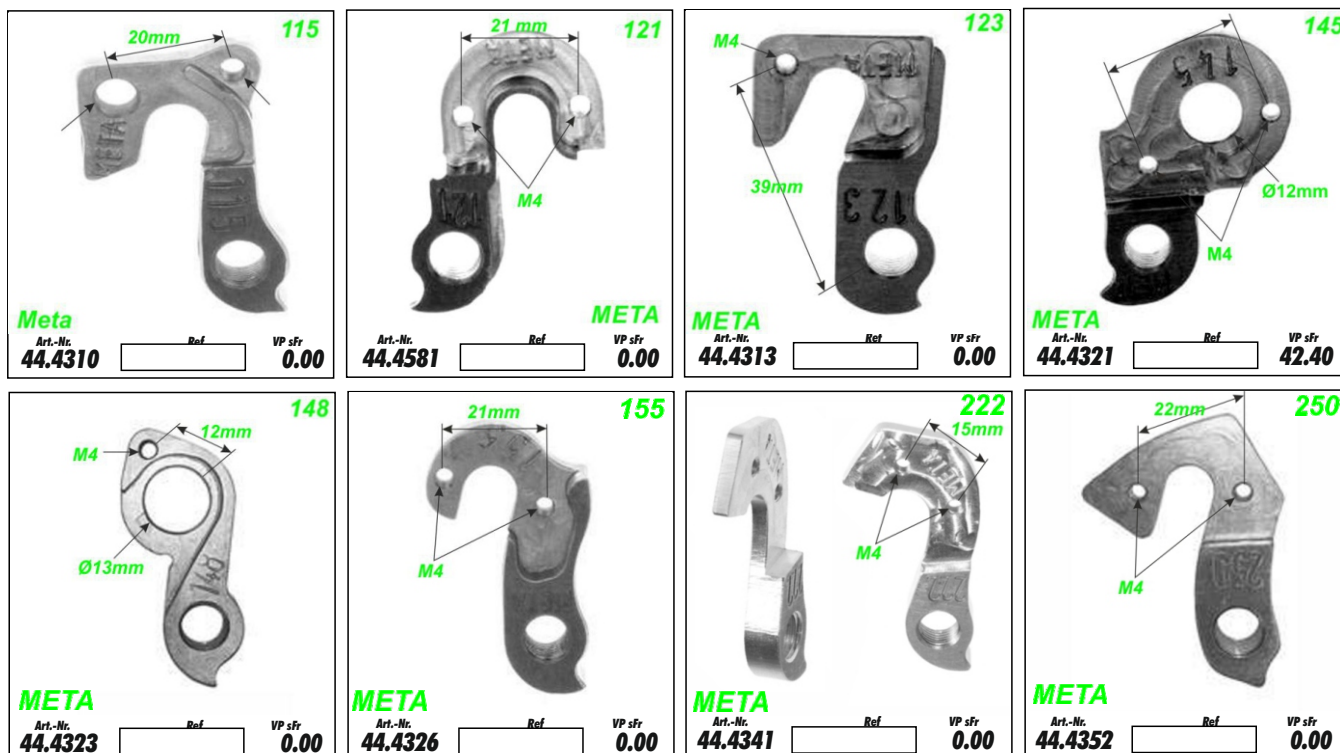
META

Art.-Nr. **44.4304** Ref. VP sFr **0.00**



Ausfallende Schaltauge Wechselhalter Support de changement de patte dérailleur

44



nach Marken

	GH-009 GH-122	GH-011 GH-126	GH-013 GH-132	GH-014	GH-022	GH-029	GH-080	GH-117
	GH-005 GH-029 GH-227 D521	GH-009 GH-080 GH-271 D524	GH-011 GH-081 GH-272 D635	GH-013 GH-126 GH-273 D718	GH-014 GH-129 GH-278 D824	GH-017 GH-147 D234 D841	GH-018 GH-178 D343 D924	GH-022 GH-219 D505 D971
	GH-009 GH-106 D109 D371 D705 D811	GH-010 GH-116 D110 D403 D706 D843	GH-011 GH-126 D292 D427 D745 D967	GH-014 GH-128 D332 D439 D762 D1045	GH-018 GH-203 D333 D473 D768	GH-080 GH-226 D334 D514 D773	GH-029 GH-230 D335 D515 D787	GH-080 GH-237 D336 D516 D788
	GH-009 GH-081 GH-245 GH-260	GH-010 GH-114 GH-249 GH-263	GH-011 GH-119 GH-250 D834	GH-013 GH-126 GH-251 D956	GH-014 GH-128 GH-252 D978	GH-022 GH-210 GH-253 D1116	GH-057 GH-211 GH-254	GH-080 GH-244 GH-255
	GH-108 GH-192 D195 D533 D839 293	GH-109 GH-195 D231 D600 D844 295	GH-125 GH-206 D268 D696 D861	GH-148 #18 D302 D713 D880	GH-149 D045 D364 D714 D936	GH-150 D046 D386 D793 097	GH-151 D068 D392 D801 281	GH-160 D072 D522 D807 282
	GH-005 GH-126 D382 D606 014	GH-011 GH-131 D457 D689 015	GH-014 GH-172 D482 D704	GH-043 GH-270 D484 D712	GH-045 D219 D552 D717	GH-080 D225 D558 D757	GH-106 D250 D564 002	GH-114 D350 D597 003



Ausfallende Schaltauge Wechselhalter

Support de changement de patte dérailleur

44

	GH-009 GH-043 D915	GH-011 GH-045 D981	GH-013 GH-081 D1066	GH-014 GH-114	GH-017 GH-128	GH-018 GH-240	GH-023 D132	GH-038 D552
	GH-009 GH-131	GH-011 GH-159	GH-022 GH-172	GH-026 GH-204	GH-045 A107	GH-080 D069	GH-114 D122	GH-119 D990
	GH-001 GH-022 GH-165 GH-286 D361 D632	GH-005 GH-058 GH-175 GH-287 D385 D830	GH-009 GH-081 GH-176 GH-288 D388 D846	GH-011 GH-085 GH-177 #02 D407 D860	GH-012 GH-092 GH-201 D201 D408 007	GH-013 GH-106 GH-257 D275 D433	GH-014 GH-115 GH-264 D288 D449	GH-017 GH-164 GH-285 D360 D593
	GH-009 GH-213	GH-011 GH-232	GH-022 #06	GH-033 D547	GH-090 D683	GH-117 D977	GH-128 D1016	GH-132
	GH-051	GH-057						
	GH-002 GH-014 GH-061 GH-117 GH-204 GH-267 D225 D984	GH-003 GH-017 GH-068 GH-124 GH-216 GH-289 D266 D1001	GH-005 GH-022 GH-080 GH-127 GH-220 GH-290 D498 255	GH-009 GH-029 GH-081 GH-128 GH-215 GH-291 D531 Meta148	GH-010 GH-036 GH-083 GH-129 GH-229 #01 D538	GH-011 GH-043 GH-101 GH-130 GH-244 #07 D552	GH-012 GH-045 GH-106 GH-133 GH-245 #21 D657	GH-013 GH-058 GH-114 GH-200 GH-266 D105 D672
	GH-009 GH-126 GH-173 D874	GH-011 GH-127 GH-174 D892	GH-012 GH-131 GH-213 347	GH-014 GH-167 D336	GH-022 GH-169 D554	GH-080 GH-170 D764	GH-107 GH-171 D810	GH-114 GH-172 D873
	GH-009 GH-184 #12 D668 009 326	GH-021 GH-185 #08 D687 012 998	GH-038 GH-186 D019 D732 245	GH-110 GH-191 D127 D742 253	GH-134 GH-233 D162 D783 254	GH-135 GH-235 D354 D822 264	GH-136 GH-259 D398 D1019 277	GH-183 GH-261 D655 004 290
	GH-014 GH-146 D145 D652 010	GH-017 GH-242 D147 D716 243	GH-022 GH-283 D260 D723 266	GH-080 GH-284 D262 D844 350	GH-117 #13 D352 D847 351	GH-123 #11 D519 D852 352	GH-124 010 D523 D905	GH-144 D030 D527 006
	GH-003 GH-022 GH-106 GH-219 D500 D1015	GH-005 GH-026 GH-116 GH-224 D530 D1026	GH-009 GH-033 GH-119 GH-131 D599	GH-011 GH-036 GH-126 GH-238 D634	GH-012 GH-045 GH-128 GH-242 D733	GH-013 GH-056 GH-172 GH-300 D747	GH-014 GH-058 GH-173 GH-301 D892	GH-018 GH-080 GH-174 D343 D1014
	GH-001 GH-014 GH-036 GH-116 GH-174	GH-003 GH-015 GH-045 GH-118 D122	GH-005 GH-018 GH-058 GH-119	GH-009 GH-021 GH-080 GH-124	GH-010 GH-022 GH-081 GH-126	GH-011 GH-026 GH-106 GH-128	GH-012 GH-029 GH-114 GH-131	GH-013 GH-033 GH-115 GH-173



Ausfallende Schaltauge Wechselhalter

Support de changement de patte dérailleur

44

Kalkhoff	GH-022	GH-003	GH-005	GH-010	GH-011	GH-013	GH-017	GH-022
	GH-029	GH-036	GH-043	GH-045	GH-061	GH-068	GH-083	GH-106
	GH-081	GH-114	GH-117	GH-124	GH-127	GH-128	GH-129	GH-130
	GH-133	GH-266	D552	D578				
KELLYS	GH-009	GH-011	GH-022	GH-081	GH-085	GH-117	GH-124	GH-164
	D361	D945	D1038					
KETTLER	GH-011	GH-029	GH-043	GH-045	GH-146	D723	D552	
KLEIN	GH-009	GH-068	GH-113	#02	#09	007		
KTM	GH-003	GH-009	GH-011	GH-014	GH-013	GH-017	GH-029	GH-081
	GH-098	GH-099	GH-107	GH-114	GH-199	GH-246	GH-247	GH-248
	D472	D475	D477					
MARIN	GH-003	GH-005	GH-009	GH-010	GH-011	GH-014	GH-017	GH-020
	GH-022	GH-043	GH-045	GH-062	GH-078	GH-080	GH-095	GH-096
	GH-114	GH-116	GH-117	GH-121	GH-133	#03	#10	#14
	D135	D251	D273	D319	D499	D552	D555	D572
	D763	115	273	342				
MBK	GH-005	GH-009	GH-011	GH-014	GH-022	GH-080	GH-049	GH-058
	GH-068	GH-080	GH-124	GH-126	GH-137	D278	D279	D313
	D493	D562						
MERIDA	GH-001	GH-009	GH-011	GH-013	GH-014	GH-018	GH-022	GH-023
	GH-036	GH-038	GH-043	GH-045	GH-081	GH-114	GH-117	GH-128
	GH-213	GH-240	D026	D047	D106	D132	D212	D232
	D264	D393	D399	D400	D539	D545	D552	D592
	D765	D856	D869	D884	016	Meta52	Meta123	Meta145
NORCO	GH-005	GH-009	GH-011	GH-013	GH-014	GH-015	GH-033	GH-056
	GH-058	GH-081	GH-116	D032	D156	D158	D184	D285
	D341	D609	D610	D624	D633	D671	D815	D836
	D882	D883	D885	008	011	275	276	337
	338	339	359	361	1000			
SCHWINN	GH-003	GH-005	GH-006	GH-009	GH-011	GH-014	GH-017	GH-020
	GH-022	GH-068	GH-080	GH-117	GH-123	GH-124	GH-126	GH-128
	GH-133	GH-145	GH-172	#02	#03	D28	D960	007 001
SCOTT	GH-003	GH-005	GH-006	GH-011	GH-014	GH-058	GH-120	GH-156
	GH-157	GH-163	GH-181	GH-182	GH-212	GH-217	GH-275	GH-276
	GH-277	GH-278	GH-292	GH-281	D181	D182	D183	D316
	D594	D644	D645	D651	D688	D779	D780	D782
	D808	D809	D835	D841	D898	D951	D1006	D1009
	329	331	365	366	371	372		
SIMPLON	GH-013	GH-014	GH-081	GH-114	GH-126	D888	D889	D922
	D928	D930						
SINUS	GH-001	GH-003	GH-005	GH-009	GH-010	GH-012	GH-013	GH-014
	GH-015	GH-018	GH-022	GH-026	GH-029	GH-033	GH-036	GH-045
	GH-058	GH-080	GH-081	GH-106	GH-114	GH-115	GH-116	GH-118
	GH-119	GH-126	GH-128	GH-131				
SPECIALIZED	GH-009	GH-083	GH-084	GH-086	GH-089	GH-094	GH-131	GH-140
	GH-141	GH-142	GH-143	GH-159	GH-166	GH-293	GH-294	GH-295
	GH-296	GH-297	GH-298	GH-302	#05	D013	D038	D621
	D694	D798	D826	D894	D932	D1000	283 284	285 374

Schaltaugen - Ausfallende

STEVENS

GH-005	GH-009	GH-013	GH-014	GH-022	GH-033	GH-036	GH-041
GH-043	GH-045	GH-058	GH-078	GH-080	GH-081	GH-106	GH-107
GH-117	GH-126	GH-131	GH-133	GH-172	GH-179	GH-180	GH-200
GH-203	GH-258	GH-269	GH-279	GH-280	D291	D735	D828
D898	D957	D959	013				

TREK

GH-001	GH-005	GH-009	GH-011	GH-014	GH-022	GH-068	GH-111
GH-112	GH-113	GH-117	GH-133	GH-137	GH-138	GH-139	GH-161
GH-188	GH-189	GH-190	GH-191	GH-225	GH-249	#05	D119
D143	D149	D194	D629	D798	D1000	007 318	321

UNIVEGA

GH-001	GH-002	GH-003	GH-005	GH-009	GH-010	GH-013	GH-014
GH-021	GH-022	GH-029	GH-043	GH-045	GH-058	GH-061	GH-068
GH-081	GH-083	GH-106	GH-114	GH-117	GH-124	GH-126	GH-127
GH-128	GH-129	GH-130	GH-133	#03	#15	D552	

PILO

WHEELER

GH-001	GH-003	GH-005	GH-011	GH-012	GH-017	GH-018	GH-022
GH-026	GH-029	GH-083	GH-116	GH-117	GH-126	D122	D141
D190	Meta 52	Meta 155					

WINORA

GH-003	GH-005	GH-010	GH-012	GH-013	GH-015	GH-018	GH-022
GH-026	GH-029	GH-033	GH-036	GH-043	GH-045	GH-058	GH-080
GH-081	GH-105	GH-106	GH-114	GH-115	GH-116	GH-118	GH-119
GH-126	GH-128	GH-131	GH-173	GH-174	D457		

UNION

www.jeker-co.com